



**FINOMAX**<sup>®</sup>  
SCAFFOLDING (I) PVT LTD

(Aluminum Formwork Division)

Strength • Quality • Reliability



AN ISO 9001 : 2015 CERTIFIED COMPANY

Web : [www.finomaxscaffolding.com](http://www.finomaxscaffolding.com)

## FINOMAX ALUMINUM FORMWORK

We take this pleasure to introduce ourselves as leading manufacturer of scaffolding pipes named as “FINOMAX SCAFFOLDING (I) PVT.LTD. “we are one of the fastest growing manufacturer and exporter of scaffolding products, with using having a world class machineries with high innovative technology to cater our customer with full of their satisfaction, right from our operation stage extreme care has been taken to insure quality & efficiency that reflect our motto “ TRUST, QUALITY, RELIABILITY ”

Having a Great success and experience achieved in manufacturing M.S. pipe and scaffolding pipe, now we are launching our new products in “FINOMAX ALUMINUM FORMWORK (Simply known as mivan technology) under the roof of “FINOMAX SCAFFOLDING (I) PVT.LTD”. Since last two years innovation and understood the every expect and process of this industry, now stage has been ready to manufacturing of this ALUMINUM FORMWORK Products.

We have facility to produce advance machinery like Robotic welding machine, friction welding machines, and all other machineries from the renowned companies which we are capable to produce the best product in the industry.

All our final product undergo a strict inspection by our 6 to 9 years qualified professional to set up the mockup before delivery on time, check through various parameters of quality control, finishing, sharpness, to make our products for complete satisfaction of over customers demand.

We are waiting for your valuable inquiry of aluminum formwork. It would be another flag in our fort if we are able to mutual business relationship with valuable customers likes yours.

While thanking you this is for your kind information.

FINOMAX SCAFFOLDING (I) PVT.LTD.

(Aluminum Formwork Divison )

# FINOMAX






## About Aluminum Formwork System

Rapid Urbanization Of Towns And Cities Has Resulted In A Geometric Increase In The Housing Demand Which Cannot Be Fulfilled By The Conventional Method Of Construction , It Is Therefore Obligatory To Work Out A Method Where The Speed , Quality Of Construction Are Automatically By The System Approach.

Aluminum Formwork System Comparatively New Technology That Improve The Quality Of Construction, Save The Time And Construction Cost , Having Using This Technology And Design Reduce The Structural Cost Of Building And Increase The Usable Floor Space Over The Rcc Design.

### Aluminium Formwork Feature And Advance

- 1) Speed
- 2) Premium Quality
- 3) Safety
- 4) Ease Of Erection And Dershuttering
- 5) Easy Of Material Handling
- 6) Highly Versatile And Durable
- 7) Less Dependency Of Skilled Worker
- 8) Repeated Use Of Multiple Times , Low Avarage Use Cost

WHAT WE DO	TEAM WORK	WHY CHOOSE US
 <p>End to End solution for the builder, promoters, and contractors to provide the best services right from designing and planning stage, calculated expected budget cost, mock up arrangement on manufacturing plant before delivery. To gives design of formwork system to optimization of material to utilized the same material for the next projects to reduce the cost for the same.</p>	 <p>Effective team work and communication with the client what they are actual requirement, build trust and respect with clients, to arrange a meetings at every stage, provide complete solution of with designing, a quality products, sales after services to achieve a common goal to complete the projects with right time with full of their satisfaction to all our valuable clients ...</p>	 <p>We have carried out a three manufacturing plants like aluminum formwork system, along with scaffolding pipe and M.S. pipe. With our manufacturing capability we are able to provide total solution of formwork system and scaffolding system, to maintain a adequate stock in inventory, to utilized our resources and expert team of manpower in various department to gives a quality product and services. Ultimately a one stops solution for aluminum form work system with quality products and services</p>

**FINOMAX ALUMINUM FORMWORK ACCESSORIES**



Anchor Nut



Stub Pin



Wedge



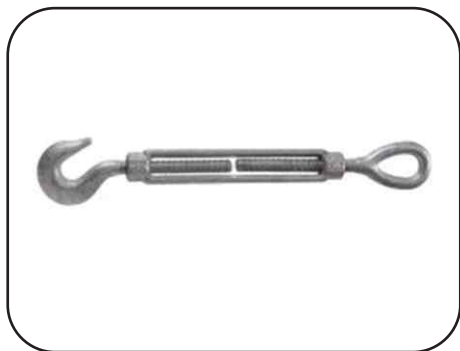
Wall Tie



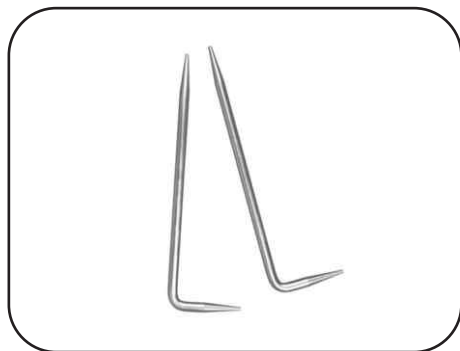
Long Pin



Tie Rod



Turn Buckle



Hole Bari



Tie Puller



M16 Bolt



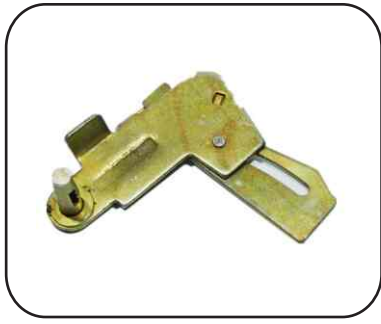
Hex Kicker Nut



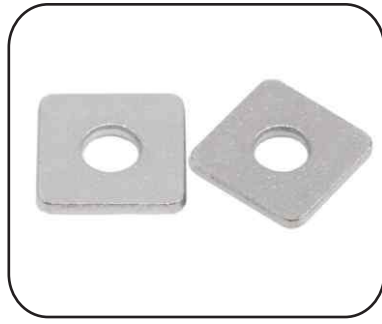
Hex Nut



# FINOMAX ALUMINUM FORMWORK SYSTEM



Waller Clamp



Square Wisen



Hex Nut



Spring Wisen



PVC Sleeve



Beam Bar



Panel Puller



Prop

# FINOMAX ALUMINUM FORMWORK SYSTEM



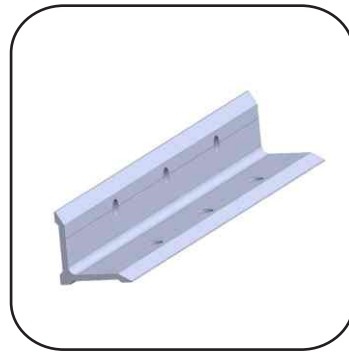
## FINOMAX ALUMINUM FORMWORK COMPONENTS ACCESSORIES



PROP-HEAD



MID-BEAM



INTERNAL-CORNER-ANGLE



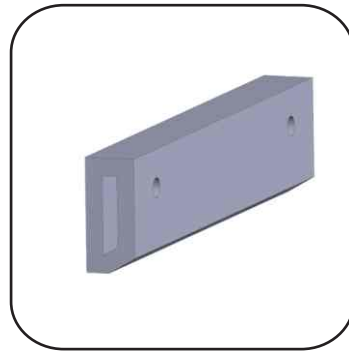
DECK-PANEL



PROP-HEAD



MID-BEAM



INTERNAL-CORNER-ANGLE



DECK-PANEL



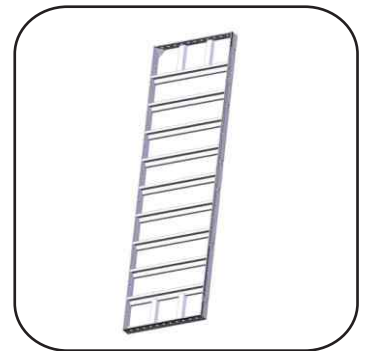
SLAB-INNER-CORNER



SLAB-CORNER



WALL-CORNER



WALL-PANEL

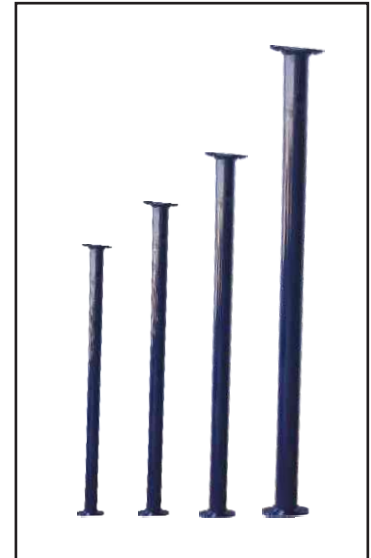
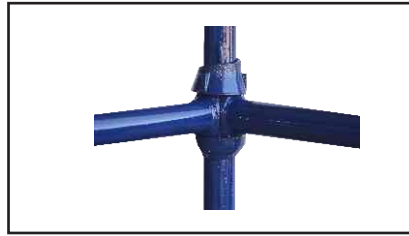


ADJ-PROP

# FINOMAX CUPLOCK SYSTEM



**FINOMAX CUPLOCK VERTICAL**



**FINOMAX CUPLOCK HORIZONTAL**



**FINOMAX TRANSOM**



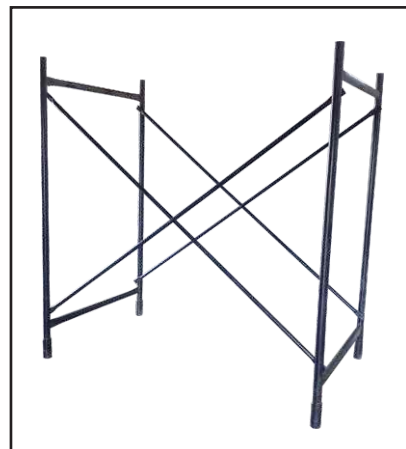
**FINOMAX BASE JACK**



**FINOMAX STRIRRUP HEAD**



**FINOMAX TELESCOPIC PROPS**



**FINOMAX H FRAME**



**FINOMAX MS PIPE**



## Fastest Growing Manufacturer of

- Aluminum Formwork System
- Cup Lock System / Weg-Lock System



### HEAD OFFICE / WORK ADDRESS

Sr. No. 57/1 p3, Village Hamirpar, Tankara, Dist. Morbi - 363650 Gujarat, India

Mo.+91 99132 22450, +91 90998 18164, +91 90333 36161

E-mail : [finomaxscaffolding@gmail.com](mailto:finomaxscaffolding@gmail.com), [info@finomaxscaffolding.com](mailto:info@finomaxscaffolding.com), Web : [www.finomaxscaffolding.com](http://www.finomaxscaffolding.com)

Finomax Group of Companies

